



[www.pemean.com](http://www.pemean.com)

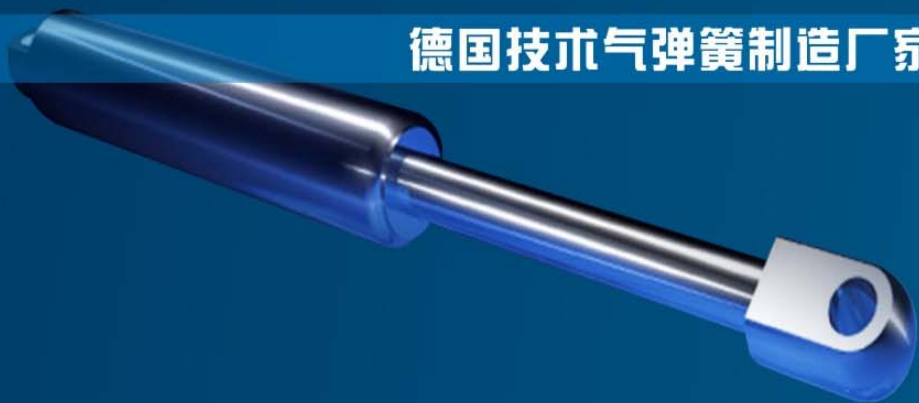
## 气弹簧产品型录 PRODUCT CONTENTS

 深圳市平美科技有限公司  
Pemean Technology Shenzhen Pemean Technology Co., Ltd

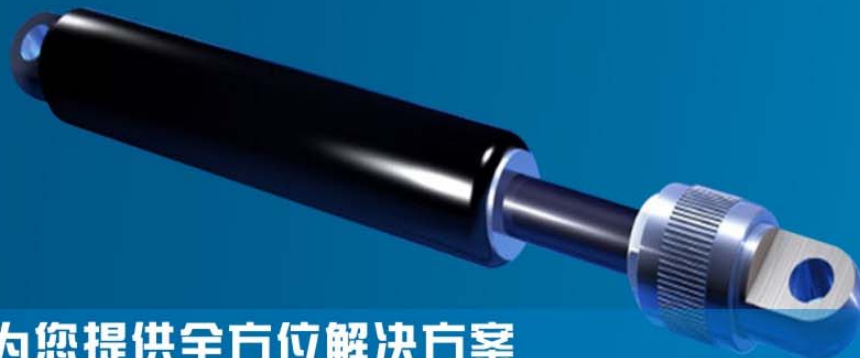
联系电话: 0755-27841988  
传真号码: 0755-83418087  
邮政编码: 518100  
E-mail: pemaen@pemaen.com szpingmei@163.com  
联系地址: 深圳宝安62区宝民二路立交桥底新港艺大厦三层  
<http://www.pemean.com>

深圳市平美科技有限公司  
Shenzhen Pemean Technology Co., Ltd

## 德国技术气弹簧制造厂家



## 为您提供全方位解决方案



## 公司简介 COMPANY PROFILE

深圳市平美科技有限公司是国内最早专业生产制造气弹簧支撑杆的五个厂家之一,技术实力雄厚,产品种类齐全,质量国内领先。十几年来,平美一直致力提高气弹簧品质,注重品牌建设;平美人一直根据DINENISO9001质量认证体系来满足客户要求,质量管理团队包括采购、研发、制造、销售直致最终应用过程的人员,产品出厂前必须根据内部质量检验体系进行严格测试。

平美凭借德国技术为基础,结合国内用户需求,从你研发新产品至产品使用测试,到批量生产,不断推出适合客户使用之高质量产品的同时,将全程协助你选用最适合使用最节约成本之产品,为客户提供全方位立体化服务,确保客户对平美品牌及产品质量的认知!

平美期待与您通力合作,携手创造更好未来!

Shenzhen pemean Technology Co. Ltd is one of the earliest professional production of gas spring supporting bar five of one of the manufacturers, the strength of technology, product range, quality of the leading domestic. More than 10years, has been committed to engage in high level the gas spring quality, pay attention to brand construction; pemean has always been in accordance with the DINENISO9001 quality system certification to meet customer requirements, quality management team includes purchasing, manufacturing, sales to final application of the process, the factory must according to internal quality inspection system to carry on the strict test.

Pemean with German technology, combined with the domestic needs of users, from your R & D of new products to product testing, to mass production, has introduced for the customers high quality products at the same time, will help you choose the most suitable for use throughout the most cost-effective products, to provide customers with a full range of services, ensure that customers on the flat of the brand and product quality perception!

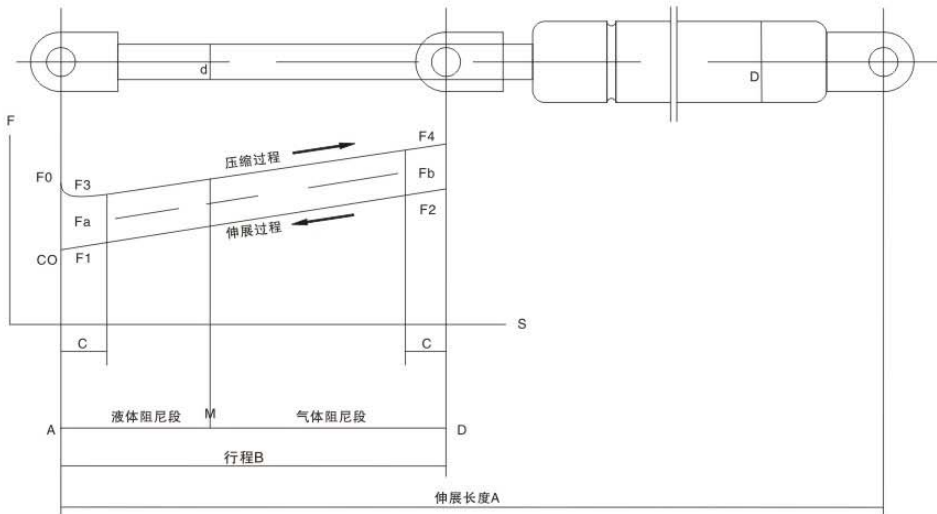
pemean and look forward to your cooperation, join hands in innovation for better future



## 目录

## CONTENTS

|              |      |
|--------------|------|
| 压缩气弹簧        | 1-2  |
| 随意停气弹簧       | 1-2  |
| 阻尼气弹簧        | 1-2  |
| 可控型气弹簧       | 3-4  |
| 可控型连接示意图     | 5    |
| 气弹簧力学参数及使用指南 | 6    |
| 拉伸型气弹簧       | 7-8  |
| 连接头示意图       | 9-10 |
| 转椅气弹簧        | 11   |
| 缓冲阻尼器        | 12   |



PM系列气弹簧

| 杆径d | 缸径D | 伸展长度A |      | 行程B |     | 力值F1(N) |      | 弹性比率<br>X (~) | C (mm) | 摩擦力Fr (N)<br>Max | 可适用   |       |       |
|-----|-----|-------|------|-----|-----|---------|------|---------------|--------|------------------|-------|-------|-------|
|     |     | Min   | Max  | Min | Max | Min     | Max  |               |        |                  | PM100 | PM200 | PM300 |
| 4   | 12  | 110   | 280  | 30  | 100 | 20      | 200  | 1.20          | 5      | 30               | ●     | ●     | ●     |
| 6   | 15  | 160   | 380  | 40  | 150 | 30      | 400  | 1.23          | 5      | 50               | ●     | ●     | ●     |
| 8   | 18  | 180   | 500  | 50  | 200 | 80      | 800  | 1.40          | 10     | 60               | ●     | ●     | ●     |
| 10  | 22  | 200   | 900  | 50  | 400 | 150     | 1150 | 1.35          | 10     | 80               | ●     | ●     |       |
| 12  | 26  | 400   | 1260 | 150 | 550 | 300     | 2100 | 1.40          | 10     | 80               | ●     |       |       |
| 14  | 28  | 420   | 1600 | 150 | 680 | 500     | 3000 | 1.40          | 10     | 120              | ●     |       |       |
| 20  | 40  | 500   | 2200 | 150 | 800 | 1000    | 5200 | 1.80          | 10     | 120              | ●     |       |       |

注: 在此规格范围内的参数值都可由您进行设定, 如需特殊规格, 我们将为您量身定制。

造型指南 Selection Guide

气弹簧选型代码 Pneumatic spring type code (注:  $A \geq B \times 2 + 80$  才可保证B为有效行程)

| 品牌代码 | 系列代码 | A 伸展长度 | B 行程  | F1 力值 | d 活塞杆直径 | D 缸筒外径 | X1 活塞杆接头 | X2 缸筒端接头 |
|------|------|--------|-------|-------|---------|--------|----------|----------|
| PM   | 100  | 110    | 30    | 20N   | 4       | 12     | C3       | C3       |
|      |      | 按需求定制  | 按需求定制 | 按需求定制 | 4       | 12     | 参照连接头示意图 | 参照连接头示意图 |
|      |      |        |       |       | 6       | 15     |          |          |
|      |      |        |       |       | 8       | 18     |          |          |
|      |      |        |       |       | 10      | 22     |          |          |
|      |      |        |       |       | 12      | 26     |          |          |
|      |      |        |       |       | 14      | 28     |          |          |
|      |      |        |       |       | 20      | 40     |          |          |



PM100系列

支撑型气弹簧 (Supporting gas spring)

支撑型气弹簧广泛应用于家具、汽车、办公、工业机械、健身器材、医疗器械等行业。 Supporting gas spring is widely used in furniture, car, office, industrial machinery, fitness equipment, medical equipment and other industries.

特点 (Characteristic)

- 工作稳定, 使用寿命长。
- 行程终端具有缓冲机构, 有效增强设备开启及关闭时的安全性及防噪音功能。
- 工作时无需外界动力, 节能环保。

stable work, long service life, stroke terminal having a buffer mechanism, effective enhancement device for opening and closing the security and guarding against the noise function, work without external power, saving and environmental protection.



PM200系列

随意停气弹簧 (Any stopping gas spring)

随意停气弹簧目前已广泛应用于医疗器械、健身器材、高档家具、高级轿车、精密工业机械设备等行业。 Any stopping gas spring has been widely used in medical equipment, fitness equipment, high-grade furniture, limousines, precision industry machinery and equipment industry.

特点 (Characteristic)

- 适用于各种调节角度及高度的场合。
- 工作平稳, 使用寿命长, 安全可靠。
- 使工作、生活、娱乐变得更加轻松方便。

applicable to a variety of adjusting the angle and the height of the occasion, stable work, long service life, safe and reliable, make the work, life, entertainment becomes more easy and convenient.



PM300系列

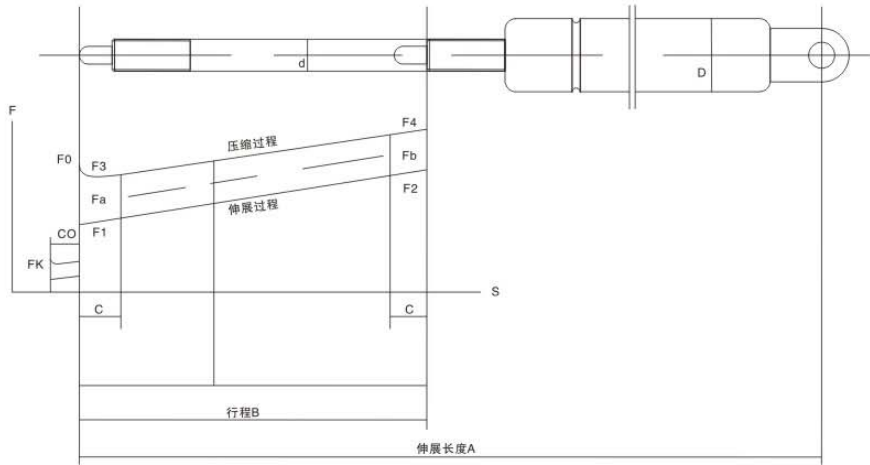
阻尼型气弹簧 (Damping type gas spring)

阻尼型气弹簧具有减震、缓冲的特性。可应用于高端产品设备的安全防护工作。 Damping gas spring with damping, buffering characteristics. Can be applied to high-end products equipment safety work.

特点 (Characteristic)

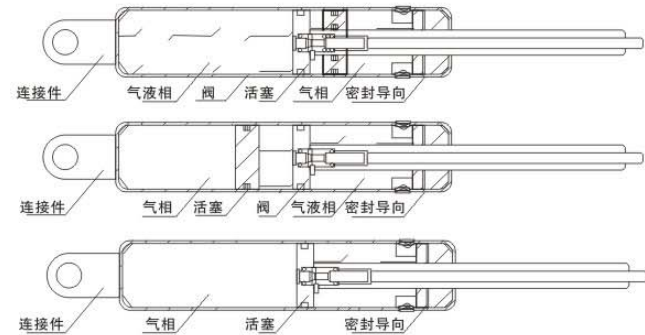
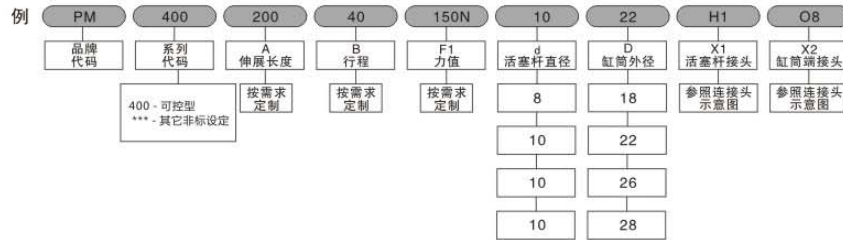
- 阻尼力可按要求设定, 动作稳定可靠, 适用于大副低频振动情况。
- 不与应用产品产生共振, 有效保护设备安全。
- 结构简单紧凑, 便于空间安装及使用。

damping force can be set according to requirements, steady and reliable action, low frequency vibration applied to the mate, is not associated with applications to produce resonance, the effective protection of equipment safety, simple and compact structure, convenient installation and use of space.



造型指南 Selection Guide

气弹簧选型代码 Pneumatic spring type code (注:  $A \geq B * 2 + 100$  才可保证B为有效行程)



PM400系列

| 杆径d | 缸径D | 行程B |     | 力值F1(N) |     | 压缩方向阻力(N) |      | 伸展方向阻力(N)           |                       | 接头                  |                      |    |    |
|-----|-----|-----|-----|---------|-----|-----------|------|---------------------|-----------------------|---------------------|----------------------|----|----|
|     |     | Min | Max | Min     | Max | Min       | Max  | Min                 | Max                   | X1                  | X2                   |    |    |
| 8   | 18  | 150 | 380 | 25      | 150 | 150       | 600  | 2000 (L)<br>600 (G) | 10000 (L)<br>4000 (G) | 500 (L)<br>2500 (G) | 3000 (L)<br>5000 (G) | 参考 | 参考 |
| 10  | 22  | 145 | 850 | 25      | 350 | 150       | 950  | 2500 (L)<br>900 (G) | 13000 (L)<br>5000 (G) | 500 (L)<br>2500 (G) | 4500 (L)<br>7000 (G) | 参照 | 参照 |
| 10  | 26  | 235 | 530 | 50      | 200 | 200       | 1500 |                     |                       |                     |                      | 参照 | 参照 |
| 10  | 28  | 250 | 600 | 50      | 200 | 200       | 1500 |                     |                       |                     |                      | 参照 | 参照 |

注:在此规格范围内的参数值都可由您进行设定,如需特殊规格,我们将为您量身定制。



PM400系列

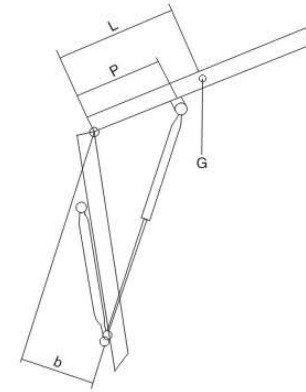
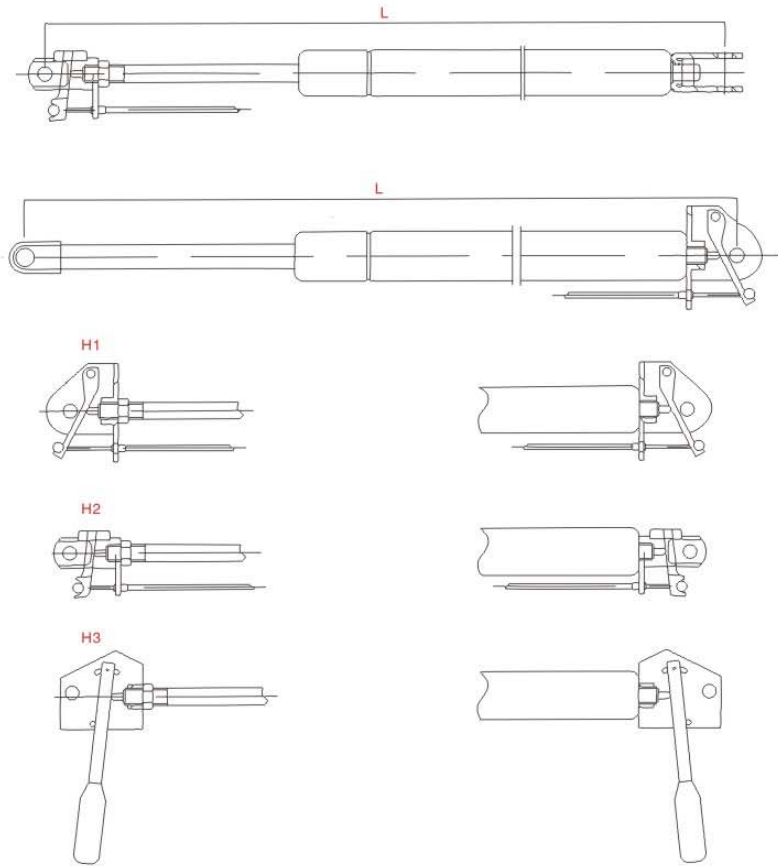
可控型气弹簧(Controllable gas spring)

可控型气弹簧可应用于办公、家具、医疗康复机械、休闲健身设备及汽车航空等行业领域。  
Controllable gas spring can be used in office furniture, machinery, medical rehabilitation, leisure fitness equipment and automotive and aviation industries.

特点(Characteristic)

- 控制推、举双向达到完全的刚性锁定。
- 不依靠外部能量来源轻松达到升降功能。
- 低摩擦特性使产品更具人性化使用价值。
- 高可靠刚性锁定增强产品安全性。

control push, lift bidirectional reach full steel lock.  
do not rely on external energy sources easily reach the lifting function.  
high reliable steel locking enhance product safety.  
low friction characteristics of a more humane products use value.



**弹簧支撑力计算:**  
Spring support force calculation

$$F1 = \frac{G \cdot L}{b \cdot n} \times 11 \text{ [N]}$$

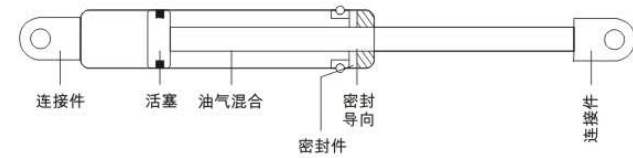
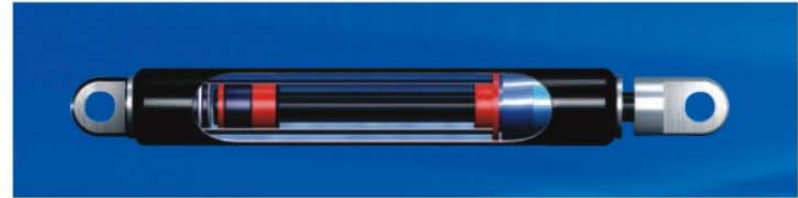
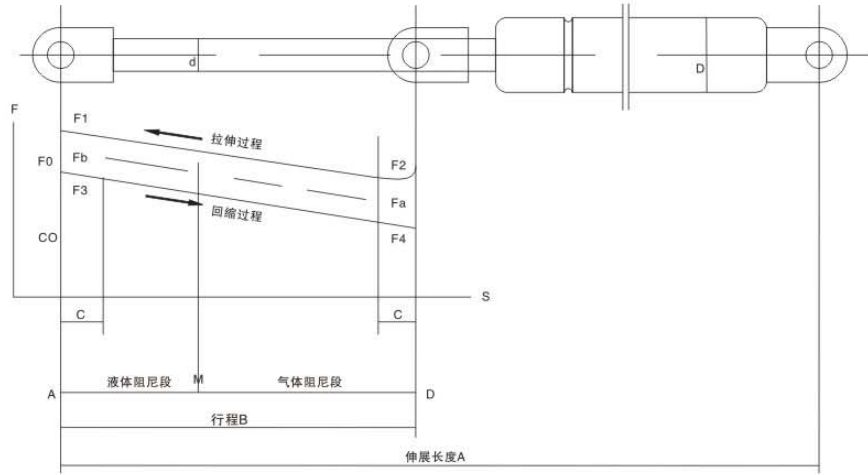
G=被支撑物体的重量(KG)  
L=被支撑物体的重心距离(mm)  
b=气弹簧与铰链平行距离(mm)  
n=使用气弹簧支数  
F1 =气弹簧支撑力(N)  
P ≈ 被支撑物体安装距离(2/3L)

G= weight of object sustained  
L= barycenter distance of object sustained.  
b= parallel distance between gas spring and hinge  
n= times of gas spring use  
F1 = sustenance of gas spring (N)  
P ≈ mounting distance of object sustained

**气弹簧使用注意事项**

- 1、根据你的使用要求,选择合适的气弹簧。  
Select an appropriate gas spring you demand.
- 2、安装气弹簧时,活塞杆端应朝下保持常态(如图示),气弹簧应纵向受力,不允许横向受力,避免气弹簧变形失去作用,气弹簧一般使用温度范围为-25℃-60℃。  
When mounting a gas spring, keep the end of piston rod downward (see the figure), and impose longitudinal force on the gas spring to shield it from malfunction caused by deformity. The working temperature of gas spring: -25℃-60℃.
- 3、活塞杆表面不能有碰伤、划伤、沾有油漆、污物等,以免损伤密封件。  
No damage, paint or other stains should be founded on the surface of piston rod to ensure the proper function of sealing units.
- 4、气弹簧要避免接触腐蚀性物体,应在通风干燥的地方存放,避免受重压。  
Keep gas springs away from erosive fluid and crushing, and locate it in draughty and dry places.
- 5、气弹簧是高压制品,严禁拆卸! 严禁近火!  
Gas spring is a high-pressure product. No Detachment! No Fire!





造型指南 Selection Guide

气弹簧选型代码 Pneumatic spring type code (注:  $A \geq B \times 2 + 100$  才可保证B为有效行程)

|   |      |                           |        |       |       |                     |                      |          |          |
|---|------|---------------------------|--------|-------|-------|---------------------|----------------------|----------|----------|
| 例 | PM   | 500                       | 200    | 40    | 150N  | 10                  | 22                   | C1       | C1       |
|   | 品牌代码 | 系列代码                      | A 伸展长度 | B 行程  | F1 力值 | d 活塞杆直径             | D 缸筒外径               | X1 活塞杆接头 | X2 缸筒接头  |
|   |      | 500 - 拉伸型<br>*** - 其它非标设定 | 按需求定制  | 按需求定制 | 按需求定制 | 8<br>10<br>12<br>14 | 18<br>22<br>26<br>28 | 参照连接头示意图 | 参照连接头示意图 |

PM500系列

| 杆径d | 缸径D | 伸展长度A |     | 行程B |     | 力值F3(N) |      | 力值F2 ( N ) |     | 接头           |              |
|-----|-----|-------|-----|-----|-----|---------|------|------------|-----|--------------|--------------|
|     |     | Min   | Max | Min | Max | Min     | Max  | Min        | Max | X1           | X2           |
| 8   | 18  | 180   | 320 | 25  | 100 | 100     | 600  | 30         | 200 | 参考<br>连接头示意图 | 参考<br>连接头示意图 |
| 10  | 22  | 200   | 400 | 25  | 150 | 150     | 950  | 40         | 300 |              |              |
| 12  | 26  | 230   | 550 | 30  | 200 | 200     | 1500 | 80         | 450 |              |              |
| 14  | 28  | 260   | 700 | 40  | 260 | 300     | 2000 | 120        | 600 |              |              |

注: 可根据您的要求生产其它不同的尺寸。

拉伸型气弹簧 (Stretch type gas spring)

拉伸型气弹簧已广泛应用于医疗器械、健身器材、高档家具、工业机械设备等行业

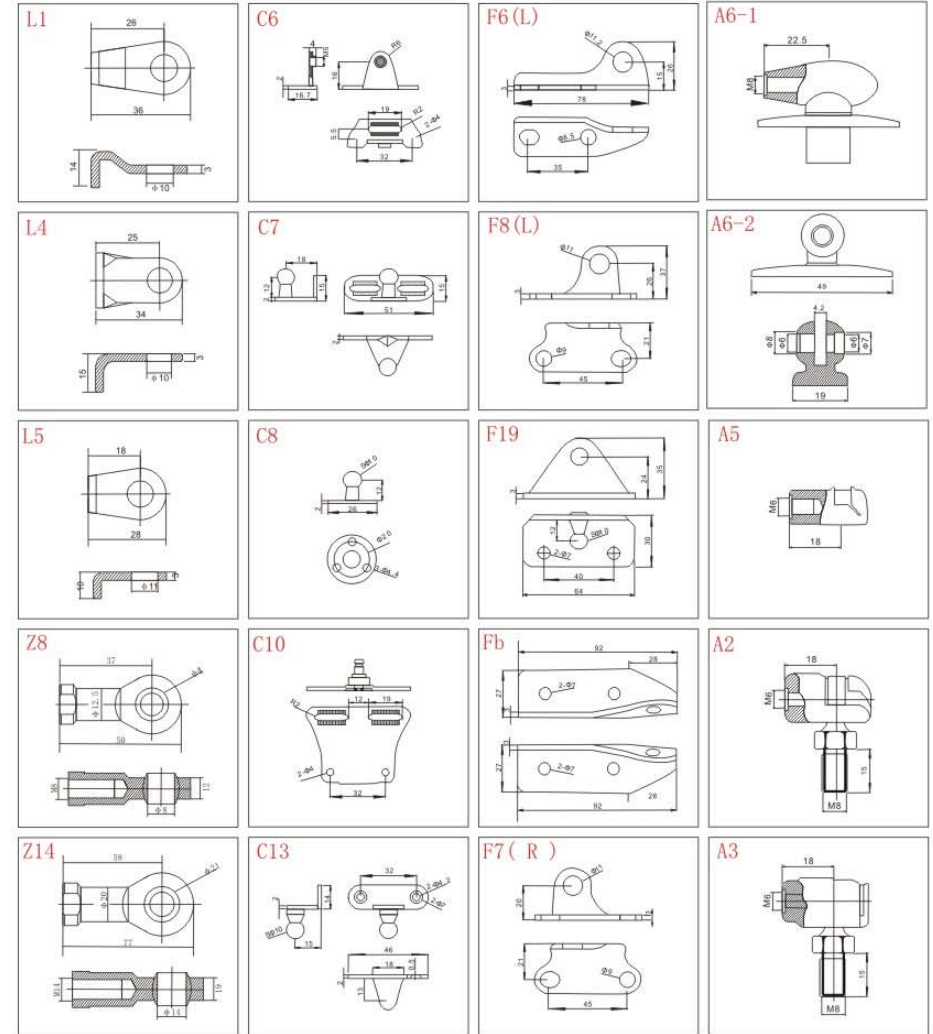
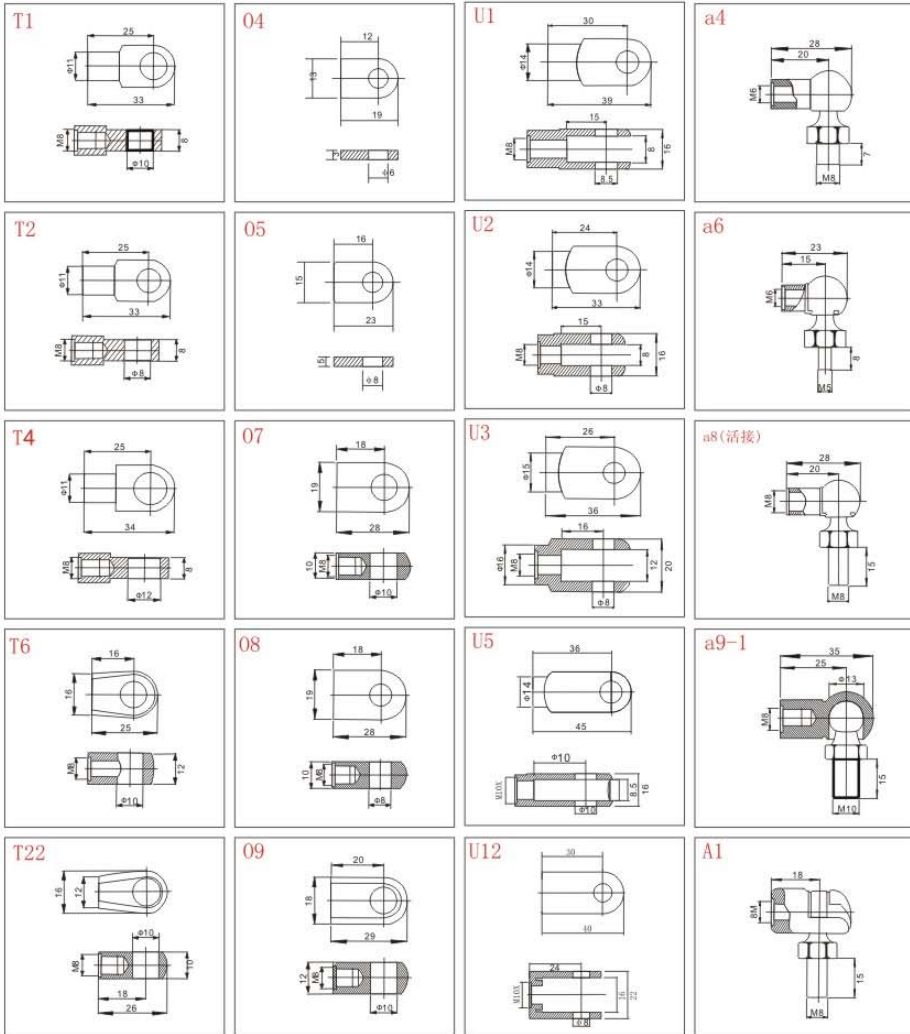
Stretch type air spring has been widely used in medical equipment, fitness equipment, furniture, industrial machinery and equipment industries



特点(Characteristic)

- 易举升牵引功能使产品应用轻松简便。
- 结构简单紧凑, 便于空间安装。
- 依据力学原理将空间比例、油气比例进行调整, 从而达到客户所需。
- 无需外界能源支持, 环保节能。

easy lifting traction function to make application easy and simple.  
simple and compact structure, convenient installation space.  
According to the principle of mechanics will space ratio, gas oil ratio adjustment, to meet customers need.  
without the outer dielectric energy, environmental protection and energy saving.





**应用范围(Application)**  
转椅气弹簧(气压棒)适用于办公转椅、会议椅、酒吧椅等。  
office chair, conference chair, bar chair and so on.

**特点(Characteristic)**  
可在人为操纵下,使活塞杆停止在任何位置,可实现360°平滑无噪音旋转,操作灵活、工作平稳、可靠,并可根据客户要求设计制造。

**Description:** can make piston rod in any place by the control of human... and allows 360° of smooth and noiseless swivel in either direction, works neatly, steady and reliably, and can be designed and made according to customers' request.



**应用范围(Application)**  
升降气弹簧(气压棒)适用于办公转椅、会议椅、酒吧椅等。  
Application: office chair, conference chair, bar chair and so on.

**特点(Characteristic)**  
可在人为操纵下,使活塞杆停止在任何位置,操作灵活,工作平稳可靠。并可根据客户要求设计制造,但不能实现360°平滑无噪音旋转。

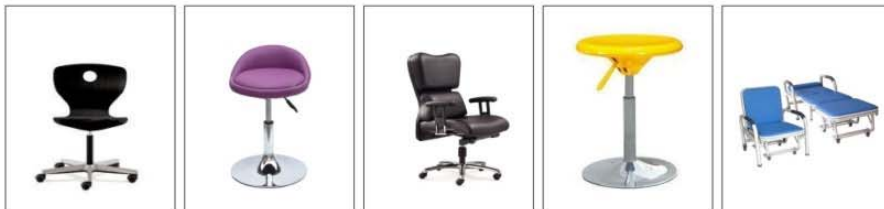
**Description:** can make piston rod in any place by the control of human... works neatly, steady and reliably, and can be designed and made according to customers request, but can not allow 360° of smooth and noiseless swivel in either direction.



**应用范围(Application)**  
转椅气弹簧(气压棒)适用于办公转椅、会议椅、酒吧椅等。  
office chair, conference chair, bar chair and so on.

**特点(Characteristic)**  
人为操作下可实现360度平滑无噪音旋转,操作轻松方便,工作安全可靠。并可根据客户要求设计制造,但不能实现升降功能。

**Description:** The human operator can achieve 360-degree smooth noise-free rotation, the operation is easy and convenient, safe and reliable. Design and manufacture according to customer requirements, but can not lift function.



**应用范围 (Application)**

安装于衣柜、橱柜等家具专用铰链,需带缓冲、阻尼效果的各种铰链(大曲、中曲、直臂)均适用。

installed in the wardrobe, cabinets and other furniture hinge for, need to buffer, damping effect of various hinge (Daqu, curved, straight arm) are applicable.

**特点(Characteristic)**

采用高端的密封技术,无漏油、渗油等现象。能够均衡、全面、消声、平稳地提供更为舒适的减震、缓冲作用。优质的材料制成,经久耐磨,使用寿命长达10万次以上。全新阻尼结构,能在最小的角度内带有缓冲效果。

The use of high-end sealing technology, no oil leakage, oil leakage phenomenon. Balanced, comprehensive, noise elimination, smooth to provide more comfortable damping, buffering effect. High quality materials, durability, service life of up to more than 100000 times.



**应用范围(Application)**

衣柜、门柜等家具产品专用带缓冲、阻尼效果的特殊形状铰链上使用。

closet door, cabinets and other furniture products special buffer, damping effect on the use of special shape asked hinge.

**特点(Characteristic)**

采用高端的密封技术,无漏油、渗油等现象。能够均衡、全面、消声、平稳地提供更为舒适的减震、缓冲作用。优质的材料制成,经久耐磨,使用寿命长达10万次以上。开启力度轻盈。

The use of high-end sealing technology, no oil leakage, oil leakage phenomenon. Balanced, comprehensive, noise elimination, smooth to provide more comfortable damping, buffering effect. High quality materials, durability, service life of up to more than 100000 times. Open the intensity of light, Open the intensity of light.



**应用范围(Application)**

适用家具橱柜等专用二、三节液压缓冲隐藏式滑轨。

applicable furniture cabinets and other special section two or three hydraulic buffer hidden type slide.

**特点(Characteristic)**

采用高端的密封技术,无漏油、渗油等现象。能够均衡、全面、消声、平稳地提供更为舒适的减震、缓冲作用。优质的材料制成,经久耐磨,使用寿命长达10万次以上。配套支架、锁条。

The use of high-end sealing technology, no oil leakage, oil leakage phenomenon. Balanced, comprehensive, noise elimination, smooth to provide more comfortable damping, buffering effect. High quality materials, durability, service life of up to more than 100000 times. The supporting bracket, the lock bar.

